



INDUSTRIAL

HAZARDOUS
AREAS

DATA ICT

RESIDENTIAL
COMMERCIAL



B&R Enclosures

UNIVERSAL DD

Zinc Coated & 316 Stainless Steel

brenclosures.com.au

Universal DD – Zinc Coated Steel

Double Door Enclosures



- Suitable for industrial or demanding conditions.
- No centre mullion — extremely easy to access all equipment mounted on the included mounting pan.
- 180° opening doors.
- Conformity, Approvals:
Lloyds Register #06/10007 (E2)
- Manufactured from 1.6mm thick zinc coated steel.
- Powdercoated Pebble Grey RAL7032.

Comes standard with:

- 2mm steel mounting pan powdercoated white
- Gland plates fitted internally or externally – dual on 1200mm wide
- Door rails
- Chromed steel lock with 7mm square steel insert (DD020) on units below 1600mm high
- Lockable L handle keyed to 92268 (DD050) on units 1600mm and above
- Earth strap kit



ORDERING GUIDE

Part Number	Dimensions (mm)								No. of Gland Plates	Weight (kg)
	External		Internal	Mounting Pan	Opening		Height (G)	Width (H)		
	Height (A)	Width (B)	Depth (C)	Usable Depth* (D)	Height (E)	Width (F)				
DD10103	1000	1000	300	250	940	915	940	920	1	67.0
DD12103	1200	1000	300	250	1140	915	1140	920	1	78.0
DD16104	1600	1000	400	350	1540	915	1540	920	1	108.0
DD18104	1800	1000	400	350	1740	915	1740	920	1	119.0
DD20104	2000	1000	400	350	1940	915	1940	920	1	131.0
DD12124	1200	1200	400	350	1140	1115	1140	1120	2	98.0
DD16124	1600	1200	400	350	1540	1115	1540	1120	2	125.0
DD18124	1800	1200	400	350	1740	1115	1740	1120	2	138.0
DD20124	2000	1200	400	350	1940	1115	1940	1120	2	152.0
DD18125	1800	1200	500	450	1740	1115	1740	1120	2	147.0
DD20125	2000	1200	500	450	1940	1115	1940	1120	2	161.0

* Mounting pan to inside of door



See **Page 6** for a range of lock options available for the Universal DD range.

Universal DD – Zinc Coated Steel

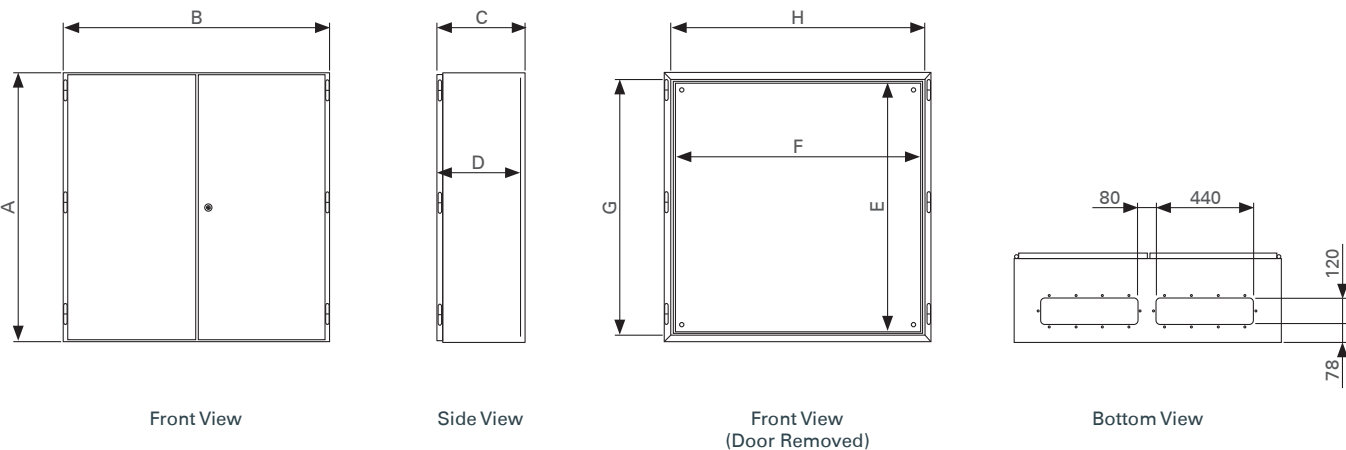
Double Door Enclosures

ACCESSORIES

Product	Description	Part Number	Dimensions (mm)			DD10103	DD12103	DD16104	DD18104	DD20104	DD12124	DD16124	DD18124	DD20124	DD18125	DD20125
			Height	Width	Depth											
Rainhoods	Zinc coated steel	DDRH103	30	-	-	•	•									
		DDRH104	30	-	-			•	•	•						
		DDRH124	30	-	-						•	•	•	•		
		DDRH125	30	-	-										•	•
Channel iron plinths	Galvanised steel	DDCIP103	75	1000	255	•	•									
		DDCIP104	75	1000	355			•	•	•						
		DDCIP124	75	1200	355						•	•	•	•		
		DDCIP125	75	1200	455										•	•
Plinth mounting bases	Galvanised steel	DDPB011003	100	1000	255	•	•									
		DDPB011004	100	1000	355			•	•	•						
		DDPB011204	100	1200	355						•	•	•	•		
		DDPB011205	100	1200	455										•	•
Neoprene gasket	3mm x 20mm, 4m long	IPPC/G	-	-	-	•	•	•	•	•	•	•	•	•	•	•
External vent kit (Pebble Grey RAL7032)	Zinc coated steel	IPVK	130	130	-	•	•	•	•	•	•	•	•	•	•	•
		IPVK16	260	260	-	•	•	•	•	•	•	•	•	•	•	•
Gland plate – split	2mm zinc coated steel	DDSGP	490	112	-	•	•	•	•	•	•	•	•	•	•	•
Eye bolt	125kg per bolt (2)	LEB/12	-	-	-	•	•	•	•	•	•	•	•	•	•	•
LED light kit (500mm wide) – includes power supply & switch	12V	BRLED500	-	500	-	•	•	•	•	•	•	•	•	•	•	•
	24V	BRLED500/24	-	500	-	•	•	•	•	•	•	•	•	•	•	•
Light kit bracket	To suit LED light kit	DDLKB10	-	1000	-	•	•	•	•	•	•	•	•	•	•	•
		DDLKB12	-	1000	-	•	•	•	•	•	•	•	•	•	•	•
Fluoro light kit (240V)	1000mm wide	DDLTK10	-	-	-	•	•	•	•							
	1200mm wide	DDLTK12	-	-	-					•	•	•	•	•	•	
Touch up paint (300g)	Pebble Grey RAL7032	TUP/P20	-	-	-	•	•	•	•	•	•	•	•	•	•	

i See Page 5 for more information about B&R's range of lighting solutions or contact your local sales representative to discuss your requirements.

TECHNICAL DRAWING



Universal DD – 316 Stainless Steel

Double Door Enclosures



- Suitable for industrial or demanding conditions.
- No centre mullion — extremely easy to access all equipment mounted on the included mounting pan.
- 180° opening doors.
- Conformity, Approvals:
Lloyds Register #06/10007 (E2)
- Manufactured from 1.5mm thick 316 stainless steel.
- N4 surface finish.

Comes standard with:

- 2mm steel mounting pan powdercoated white
- Gland plates fitted internally or externally – dual on 1200mm wide
- Door rails
- Stainless steel lock with 7mm square stainless steel insert (DD020/S) on units below 1600mm high
- Lockable L handle keyed to 92268 (DD050) on units 1600mm and above
- Earth strap kit



ORDERING GUIDE

Part Number	Dimensions (mm)								No. of Gland Plates	Weight (kg)
	External		Internal	Mounting Pan		Opening				
	Height (A)	Width (B)	Depth (C)	Usable Depth* (D)	Height (E)	Width (F)	Height (G)	Width (H)		
DD10103/S	1000	1000	300	250	940	915	940	920	1	64.0
DD12103/S	1200	1000	300	250	1140	915	1140	920	1	74.0
DD16104/S	1600	1000	400	350	1540	915	1540	920	1	103.0
DD18104/S	1800	1000	400	350	1740	915	1740	920	1	114.0
DD20104/S	2000	1000	400	350	1940	915	1940	920	1	125.0
DD12124/S	1200	1200	400	350	1140	1115	1140	1120	2	93.0
DD16124/S	1600	1200	400	350	1540	1115	1540	1120	2	119.0
DD18124/S	1800	1200	400	350	1740	1115	1740	1120	2	132.0
DD20124/S	2000	1200	400	350	1940	1115	1940	1120	2	145.0
DD18125/S	1800	1200	500	450	1740	1115	1740	1120	2	140.0
DD20125/S	2000	1200	500	450	1940	1115	1940	1120	2	154.0

* Mounting pan to inside of door



See **Page 6** for a range of lock options available for the Universal DD range.

Universal DD – 316 Stainless Steel

Double Door Enclosures

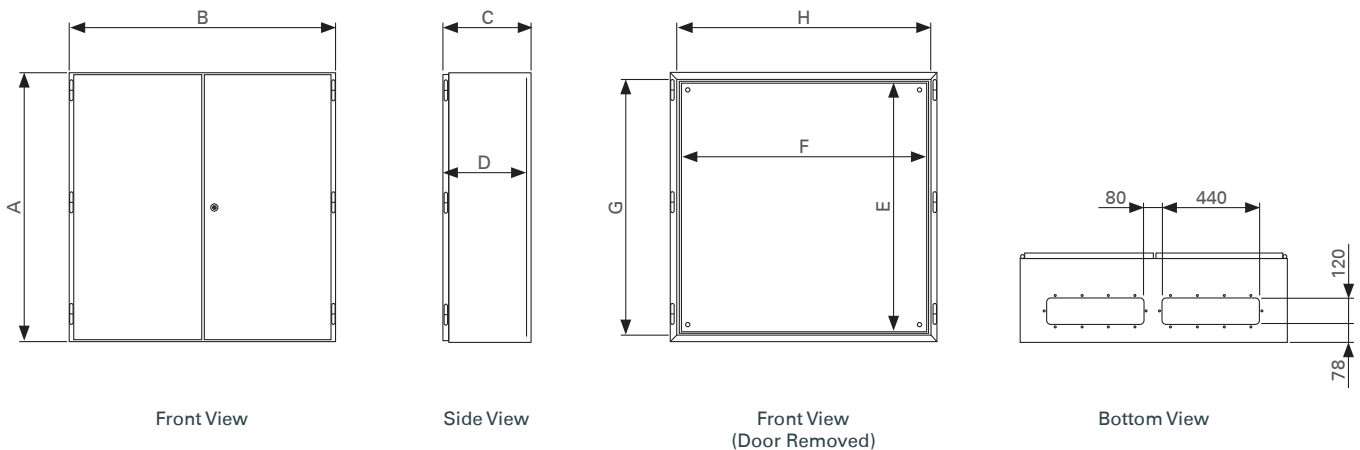
ACCESSORIES

Product	Description	Part Number	Dimensions (mm)			DD10103/S	DD12103/S	DD16104/S	DD18104/S	DD20104/S	DD12124/S	DD16124/S	DD18124/S	DD20124/S	DD18125/S	DD20125/S
			Height	Width	Depth											
Rainhoods	316 stainless steel	DDRH103/S	30	-	-	•	•									
		DDRH104/S	30	-	-			•	•	•						
		DDRH124/S	30	-	-						•	•	•	•		
		DDRH125/S	30	-	-										•	•
Channel iron plinths	Galvanised steel	DDCIP103	75	1000	255	•	•									
		DDCIP104	75	1000	355			•	•	•						
		DDCIP124	75	1200	355						•	•	•	•		
		DDCIP125	75	1200	455										•	•
Plinth mounting bases	Galvanised steel	DDPB011003	75	1000	255	•	•									
		DDPB011004	75	1000	355			•	•	•						
		DDPB011204	75	1200	355						•	•	•	•		
		DDPB011205	75	1200	455										•	•
Neoprene gasket	3mm x 20mm, 4m long	IPPC/G	-	-	-	•	•	•	•	•	•	•	•	•	•	•
External vent kit	316 stainless steel	IPVK/S	130	130	-	•	•	•	•	•	•	•	•	•	•	•
		IPVK16/S	260	260	-	•	•	•	•	•	•	•	•	•	•	•
Gland plate – split	2mm zinc coated steel	DDSGP	490	112	-	•	•	•	•	•	•	•	•	•	•	•
Eye bolt	125kg per bolt (2)	LEB/12	-	-	-	•	•	•	•	•	•	•	•	•	•	•
LED light kit (500mm wide) – includes power supply & switch	12V	BRLED500	-	500	-	•	•	•	•	•	•	•	•	•	•	•
	24V	BRLED500/24	-	500	-	•	•	•	•	•	•	•	•	•	•	•
Light kit bracket	To suit LED light kit	DDLKB10	-	1000	-	•	•	•	•	•	•	•	•	•	•	•
		DDLKB12	-	1000	-	•	•	•	•	•	•	•	•	•	•	•
Fluoro light kit (240V)	1000mm wide	DDLTK10	-	-	-	•	•	•	•	•						
	1200mm wide	DDLTK12	-	-	-					•	•	•	•	•	•	



See **Page 5** for more information about B&R's range of lighting solutions or contact your local sales representative to discuss your requirements.

TECHNICAL DRAWING



Enclosure LED Lighting



Our LED lighting solutions provide light inside an enclosure when visibility is required for both safety and efficiency.



High output, small form factor LED lighting. Up to 4 units can be daisy chained from the one power supply. Allows for the opening of full height swing frames or hinged escutcheons when fitted to the roof. The optional PIR movement sensor can be used for power efficiency as an automatic door switch. All light kits can be mounted directly onto 19" rack rails. In the absence of 19" rack rails a mounting kit is available to suit the enclosure size.

B&R's LED lighting solutions are applied to provide excess light within an enclosure and becomes a continuous light source to provide extra visibility.

- Energy saving up to 50% compared with traditional fluorescents under the same lux.
- Life span – over 50,000 hours
- Available in cool white, neutral white and warm white colour temperatures.
- Available in 12V and 24V options.
- Easy linking up to 36 watts per run.
- Easy to install.
- Low voltage — safe and efficient.
- Manufactured from aluminium with black plastic end caps and acrylic lens.
- Light source – SM3528 LED
- Operating temperature – -20°C to 40°C indoors



This information is provided as a guide only. Contact your local sales representative to discuss your requirements.

Technical Operating Data

Length (mm)	Voltage (DC)	Power (W)	Radiance	ColourTemp	Luminous Flux (lm)*	LED Current (A)
300	12/24	3	90°	4400	280/360	0.18
500	12/24	5	90°	4400	460/600	0.18

Universal Double Door

Part Number	Power (V)	LED Light	Power Supply	Inclusions			Required Mounting Bracket		To suit enclosure	
				Splitter	Switch	Connectors	DDLKB10	DDLKB12	Width (mm)	Optional
BRLED500	12	•	•		•		•		1000	BRMOT
BRLED500/24	24	•	•		•			•	1200	PIR Motion Sensor

Locks

Locks to suit special purpose enclosures

Standard Locks



Enclosure	SI	SS
Universal DD ≤1600mm	DD020 – chromed steel with 7mm square steel insert	DD020/PS – black powdercoated lock with 7mm square stainless steel insert
Universal DD +1600mm	DD050 – lockable L handle keyed 92268	DD050 – lockable L handle keyed 92268
Incline SR	–	NI020/S – stainless steel lock with 7mm square stainless steel insert
Hedland PH	–	NI020/S – stainless steel lock with 7mm square stainless steel insert
Finucane FI	–	NI020/S – stainless steel lock with 7mm square stainless steel insert
Bowen Series	–	NI028S/S – stainless steel lock with 8mm square slotted stainless steel insert
Pilbara SP	SP/LCK – chromed steel padlockable swing handle with LockSock®	SP/LCK/S – stainless steel padlockable swing handle with LockSock®
Lambert LB	–	SP/LCK/S – stainless steel padlockable swing handle with LockSock®
Miner ME	NI020 – chromed steel with 7mm square steel insert	–
Universal PB	NI020 – chromed steel with 7mm square steel insert	NI020/PS – black powdercoated lock with 7mm square stainless steel insert

Lock Options for Special Purpose Enclosures

There are a number of lock options available that are suitable for use on special purpose enclosures. Contact your local sales representative to discuss your requirements.

Product	Description	Part Number	Standard Lock/Insert	Alternative insert	Keys		
					Lockable handles	Plastic, 3-way	Aluminium, 4-way
Turnbuckle	chromed steel	NI020	7mm square – steel	See page 5		SKU	SKZ
		DD020	7mm square – steel	See page 5		SKU	SKZ
	powdercoated	NI020/PS	7mm square – stainless steel	See page 5		SKU	SKZ
		DD020/PS	7mm square – stainless steel	See page 5		SKU	SKZ
	stainless steel	NI020/S	7mm square – stainless steel	See page 5		SKU	SKZ
		NI028S/S	8mm square slotted – stainless steel	See page 5			
Wing knob	lockable	NI030	Key code 92268			SK3	
		DD030	Key code 92268			SK3	
	non-lockable	NI111	–				
		DD111	–				
T-handle	lockable	NI040	Key code 92268			SK3	
		DD040	Key code 92268			SK3	
L-handle	lockable	NI050	Key code 92268			SK3	
		DD050	Key code 92268			SK3	
	padlockable – steel	NI052	–				
		DD052	–				
	padlockable – stainless steel	NI052/S	–				
		DD052/S	–				
Swing handle	padlockable – steel	SP/LCK	–				
	padlockable – stainless steel	SP/LCK/S	–				
LockSock®	plastic	SP/LCK/DC	To suit SP/LCK				
Dust cap	plastic	NI020/DC	To suit NI020 lock				

Locks

Locks to suit special purpose enclosures



Lock Inserts for Locks

The NI020 locks are available with an option lock insert for use on all special purpose enclosures. Contact your local sales engineer to discuss your requirements.

To suit lock style	Description	To suit lock	Standard Insert	3mm double bit pin		8mm square		8mm square slotted	8mm triangle	
				Steel	Stainless Steel	Steel	Stainless Steel	Stainless Steel	Steel	Stainless Steel
Turnbuckle	chromed steel	NI020 or DD020	7mm square – steel	LKINS3P		LKINS8S		LKINS8SS/S		LKIN8T
	powdercoated with SS insert	NI020/PS or DD020/PS	7mm square – stainless steel		LKINS3P/S		LKINS8S/S	LKINS8SS/S		LKINS8T/S
	stainless steel	NI020/S or DD020/PS	7mm square – stainless steel		LKINS3P/S		LKINS8S/S	LKINS8SS/S		LKINS8T/S
Key required – aluminium			SKZ	SKZ	SKZ	SK8	SK8	SK8	SKZ	SKZ
Key required – plastic			SKU	SKU	SKU				SKU	SKU

AUSTRALIA

Sales

T: 1300 Enclosures (1300 362 567)

F: 1300 796 599

E: sales@brenclosures.com.au

brenclosures.com.au

QUEENSLAND

Brisbane Manufacturing, Sales & Warehouse

51 Stradbroke Street

Heathwood QLD 4110

(PO Box 1151)

Browns Plains BC QLD 4118

T: +61 7 3714 1111

E: salesqld@brenclosures.com.au

NORTH QUEENSLAND

Townsville Sales & Warehouse

Unit 4 / 780 Ingham Road

Mount Louisa QLD 4814

(PO Box 7615)

Garbutt QLD 4814

T: +61 7 4727 1900

E: salestvl@brenclosures.com.au

NEW SOUTH WALES

NSW & ACT Sales & Warehouse

Unit 12/100 Belmore Road North

(PO Box 192)

Riverwood NSW 2210

T: +61 2 9915 9555

E: salesnsw@brenclosures.com.au

NEWCASTLE Distribution

109-111 Broadmeadow Road

Broadmeadow NSW 2292

T: +61 2 4961 4433

F: +61 2 4961 2498

VICTORIA

VIC & TAS Sales & Warehouse

50-52 Sunmore Close

Heatherton VIC 3202

T: +61 3 9552 0552

E: salesvic@brenclosures.com.au

TASMANIA Distribution

W P Martin Pty Ltd

85 Elizabeth Street

Launceston TAS 7250

T: +61 3 6331 5545

F: +61 3 6331 4256

SOUTH AUSTRALIA

SA & NT Manufacturing, Sales & Warehouse

505 Grand Junction Road

Wingfield SA 5013

T: +61 8 8417 6222

E: salessa@brenclosures.com.au

NORTHERN TERRITORY Distribution

Cnr Hidden Valley & Beaton Roads

Berrimah NT 0828

T: +61 8 8947 0870

F: +61 8 8947 0764

WESTERN AUSTRALIA

WA Sales Office & Warehouse

6 Montgomery Way

Malaga WA 6090

T: +61 8 6310 4777

E: saleswa@brenclosures.com.au

NEW ZEALAND

Sales

B&R Enclosures Limited

T: 0800 Enclosures (0800 362 567)

E: sales@brenclosures.co.nz

brenclosures.co.nz

AUCKLAND Distribution

Unit 6/103 Cryers Road

East Tamaki Auckland NZ 2013

T: +64 9 265 2097

F: +64 9 265 2437

E: sales@brenclosures.co.nz

CHRISTCHURCH Distribution

17 Washbournes Road

Wigram Christchurch NZ 8042

T: +64 3 348 0659

F: +64 3 348 4043

E: sales@brenclosures.co.nz

CHINA

Sales

B&R Enclosures (Suzhou) Co. Ltd

E: sales@brenclosures.com.cn

brenclosures.com.cn

SUZHOU

Suzhou Sales Office & Manufacturing

Building 45 Chuangtou Industrial Zone

SIP, Suzhou 215122

PEOPLE'S REPUBLIC OF CHINA

T: +86 512 8718 2139

F: +86 512 8718 2140

E: sales@brenclosures.com.cn

SOUTH EAST ASIA

Sales

B&R Enclosures SDN BHD

E: sales@brenclosures.com.au

brenclosures.com.au

MALAYSIA

Malaysia Sales Office & Manufacturing

No.38-1, Puchong Gateway Square,

Jalan Suria Puchong 4,

Pusat Perniagaan Suria Puchong

47110, Puchong, Selangor, Malaysia

T: +603 8958 3923 or +603 8959 3923

F: +603 8958 3223

E: sales@brenclosures.com.au

MIDDLE EAST

Sales

B&R Gulf

E: sales@brgulf.com.sa

brenclosures.com.sa

DAMMAM

Dammam Sales Office & Manufacturing

Factory No. 119, Modon Buildings

King Salman Road, Industrial Area 3

Dammam, Kingdom of Saudi Arabia

T +96 638 128 691 or +96 650 349 6592

E: sales@brgulf.com.sa